



### One Year Limited Warranty

Amcor, Inc. ("Amcor") warrants the original retail purchaser ("Purchaser") purchasing in the United States that the Amcor product with which this warranty is enclosed is free from defects in materials and workmanship.

Amcor's sole obligation under this warranty is to replace, or at Amcor's discretion, to repair, free of charge, all defective parts, for a period of one (1) year from date of original purchase. ANY IMPLIED WARRANTY OF MERCHANTABILITY IS SIMILARLY LIMITED TO ONE (1) YEAR FROM DATE OF ORIGINAL PURCHASE AND NO ACTION BASED UPON ANY IMPLIED WARRANTY OF MERCHANTABILITY OR OTHERWISE MAY BE COMMENCED AFTER EXPIRATION OF ONE (1) YEAR FROM DATE OF ORIGINAL RETAIL PURCHASE. Some states do not allow limitations on how long an implied warranty lasts, so the above limitation may not apply to you.

The provisions of this warranty shall not apply to any product which in Amcor's judgment has been (1) subject to misuse or neglect. (2) damaged in an accident. (3) used for a purpose for which it was not designed, or (4) repaired or altered in any way that adversely affected its performance or reliability.

To obtain warranty service, the defective product or part must be shipped or delivered to: Amcor's authorized service center. All postage, insurance and shipping charges are the responsibility of the Purchaser and are not included in this warranty.

AMCOR NEITHER ASSUMES NOR AUTHORIZES ANY PERSON TO ASSUME FOR IT ANY OTHER ( LIABILITY IN CONNECTION WITH ITS PRODUCTS, THERE ARE NO WARRANTIES WHICH EXTEND BEYOND THE DESCRIPTION ON THE FACE HEREOF. NO RESPONSIBILITY IS ASSUMED FOR INCIDENTAL OR CONSEQUENTIAL DAMAGES THAT MAY RESULT FROM THE USE OF AN AMCOR PRODUCT, NOR FOR THE DAMAGES DUE TO ACCIDENT, ABUSE, LACK OF RESPONSIBLE CARE, THE AFFIXING OF ANY UNAUTHORIZED ATTACHMENT, LOSS OF PARTS, OR USE AT A VOLTAGE OTHER THAN SPECIFIED. Some states do not allow the exclusion of limitation of incidental or consequential damages, so these limitations may not apply to you.

Amcor disclaims all liabilities for defects or damages caused by use of replacement parts obtained from or by service at any service center other than Amcor's authorized service center.

This warranty gives you specific legal rights, and you may also have other rights which vary from state to state.

Product: **AMCOR Dehumidifier**

Model: AHD-65E

Date Purchased: \_\_\_\_\_

Production Code: \_\_\_\_\_

QUESTIONS? Call 866-361-2233 · [www.amcorgroupusa.com](http://www.amcorgroupusa.com)

Dear Customer: Please keep this warranty for your record. **DO NOT** return it.



## Owner's Manual

# 65 Pint Dehumidifier

Model AHD-65E



It is important that you read these instructions before using your new purchase and we strongly recommend that you keep them in a safe place for future reference.

# Table of Contents

THANK YOU.....	1
<i>Energy Saving Tips</i> .....	1
SPECIFICATIONS.....	2
SAFETY .....	3
BEFORE USE.....	4
OPERATION .....	5-6
<i>Control Panel</i> .....	5
<i>Using the Bucket</i> .....	6
<i>Use Continuous Drainage</i> .....	6
MAINTENANCE .....	7
TROUBLESHOOTING .....	8
WARRANTY .....	10

---

## Specifications

<b>Model Number</b>	<b>AHD-65E</b>
Automatic Humidistat Control	Yes
Automatic Shut Off	Yes
Refrigerant	R-22
Power Supply	115V / 60Hz
Humidity Removal Capacity	65 pints / Day
Fan Speed	2-Speed
Weight	43.2 lbs.
Dimensions	14.375"W x 22.25"D x 13.375"H
<p><b>REMARKS:</b> The dehumidification may be affected by the height of the ceiling, quality of insulation, number of windows, etc.</p>	

## Maintenance

### Proper Use and Care

- Place the dehumidifier in a location that does not restrict air flow into the rear coil or out of the front grille.
- The dehumidifier must be operated in an enclosed area to be most effective. Close all doors, windows and other outside openings to the room.
- A dehumidifier operating in a basement will have little or no effect in drying an adjacent enclosed storage area (such as a closet) unless there is adequate circulation of air in and out of the area.
- If the "BUCKET FULL" light comes on when using the unit for the first time, take the bucket out and put it in again. The light will go off.
- Turn the dehumidifier off and remove the plug from the wall outlet before cleaning. Use water and a mild detergent to clean the inlet and outlet grilles. Do not use bleach or abrasives.

The air filter is on the front of the dehumidifier. It should be checked and cleaned at least every 2 to 3 weeks or when needed.

- To Remove Filter: Unplug the unit, remove the bucket and lift out the filter. Clean the filter with a vacuum cleaner or wash it with clean water and dry it with a dry cloth.

## Troubleshooting

Problem	Cause	Solution
<b>Never try to repair or dismantle the air conditioner yourself. Tampering with the unit may result in the loss of warranty and can endanger the user and property.</b>		
<b>The Unit Does Nothing</b>	No power supply.	Make sure outlet works and the plug is pushed completely into the outlet.
	Fuse is blown or circuit was tripped.	Replace fuse or circuit.
	Bucket is full. Drain the bucket.	Unit shuts off when bucket is full.
	Ambient temperature is above 122° or below 32°F.	Unit will restart after shutting off for 3 minutes.
<b>Dehumidifier is icing up.</b>	Normal operation in initial stage of operation.	Frost will usually disappear within 60 minutes unless temperature is below 60°F
<b>Poor Airflow</b>	Airflow is restricted	Make sure there are no curtains, blinds or furniture blocking the front or back of unit.
	Dirty Air Filter	Clean the filter.

NOTE: After prolonged usage, the condenser coils behind the filter may develop a residue buildup. Unless cleaned regularly with a soft brush, this residue will harden and may require special cleaning by a refrigeration/air conditioning serviceman.

<b>Unsatisfactory Dehumidification</b>	Unit used for first time.	When first installed, allow at least 3 or 4 days to remove the moisture from the room to maintain the desired dryness.
	Area to be humidified is too large.	Check with dealer that model is suitable for room size and moisture level.
	Controls not set correctly.	Adjust controls according to instructions.
	Doors / windows not closed.	Check that all openings are closed tightly.
	Clothes dryer in operation in the same room.	Install the dehumidifier away from the moistureladen air generated by the dryer. Dryer should be vented to the outside.
	Room temperature too low.	The unit will not operate satisfactorily if the room temperature is below 60°F.

If this product is defective or not working properly,  
**please DO NOT return to your retail store.**  
**Please contact Amcor for service or technical assistance.**

[www.amcorgroupusa.com](http://www.amcorgroupusa.com)

## Thank You!

Thank you for purchasing an AMCOR Dehumidifier. AMCOR is a leading brand in indoor air treatment. We would like you to enjoy the many benefits this unit offers, so please read this manual carefully and take full advantage of the many advanced features that your AMCOR Dehumidifier offers you.

AMCOR has specialized in complete indoor environment control, manufacturing world-class air conditioners, dehumidifiers and air purifiers with innovative technology. In designing these advanced products, we have listened carefully to our customers and have passed their views on to our research and development laboratories. We wish you many years of enjoyable use.

After reading this manual, please keep it in a safe place for future reference.

### Energy Saving Tips

- Do not locate the dehumidifier where furniture or other objects can obstruct the airflow.
- Keep the filters clean.

## Before Use

Read this manual carefully. It contains instructions to help you use, maintain and enjoy your dehumidifier.

### ELECTRICAL SAFETY

#### Grounding

This dehumidifier must be grounded. Grounding reduces the risk of electric shock by providing an escape wire for the electric current. The power cord has a grounding wire with a grounding plug. Plug it into an outlet that is properly installed and grounded.

**WARNING:** Improper use of the grounding plug can result in a risk of electric shock. Call a qualified electrician if you don't understand the grounding instructions or if you are not sure if the dehumidifier is properly grounded. If the wall outlet is not grounded, please contact an electrician to have it replaced with a properly grounded outlet.

Do not, under any circumstances, cut or remove the third (ground) prong from the power cord.

#### Adapter Plug

Because most 2-prong outlets are not grounded, we strongly advise against using an adapter plug. However, a temporary connection may be made where local codes permit and if the 2-prong wall outlet is properly grounded. Make sure the larger prong of the adapter goes into the large slot to provide proper polarity.

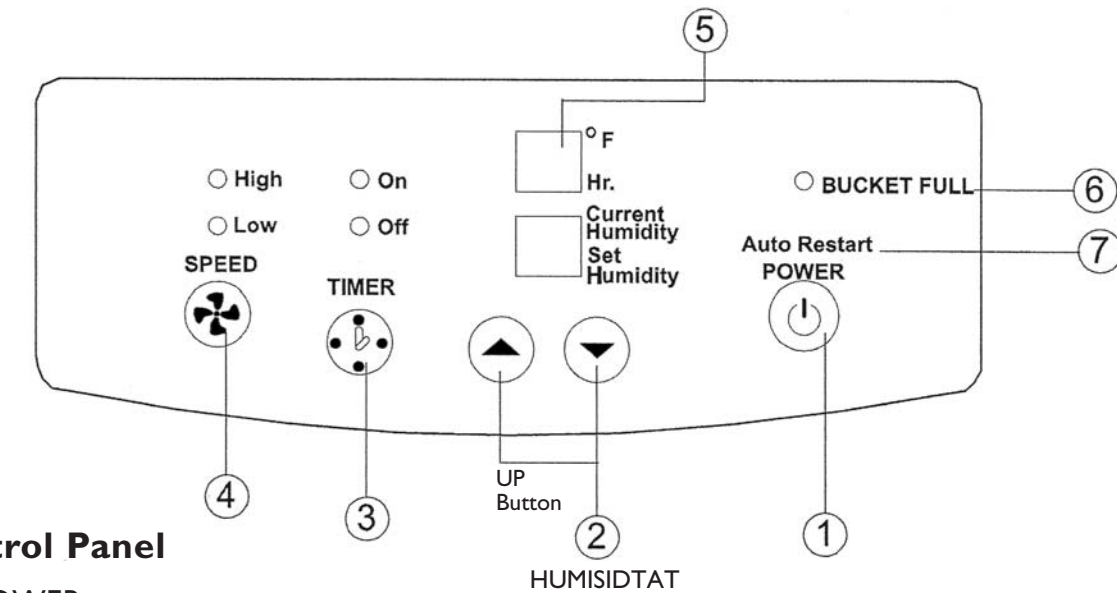
#### For Proper Grounding

1. Ground the adapter to the outlet by using the outlet cover screw to secure the ground terminal to the outlet box.
2. Please confirm the outlet is grounded through the house wiring. If the grounding connector breaks. **DO NOT USE** the dehumidifier until a proper ground has again been made.

#### Extension Cord

If an extension cord is required to reach the nearest wall receptacle, use only a UL-listed, 3-wire, grounding type, 16 AWG, 15A, 125V appliance extension cord.

## Operation



### Control Panel

1. **POWER**
2. **HUMIDISTAT:** This allows you to adjust the humidity of the air. You may set the humidity by pressing the UP and DOWN buttons.
3. **TIMER:** Your dehumidifier can be set to go on or off at your desire. This can be done up to 24 hours in advance.
4. **TWO-SPEED FAN:** When this you can control the fan speed. You have 2 levels of Fan Speed for you to set at you desired level. LOW will circulate air at the lower velocity and HIGH will circulate at the higher velocity.
5. **CURRENT TEMP/TIMER SET DISPLAY:** When machine is running, it displays the current temperature. Press the "TIMER" button to set the machine to shut off or turn on automatically after a specified amount of time.
6. **BUCKET FULL INDICATOR:** When light comes on, automatic flow control stops the unit. Turn the unit off by pressing "POWER" key before emptying the bucket.
7. **AUTO RESTART:** Turns the unit on automatically when the power returns
8. **AUTO-DEFROST SENSOR (BUILT-IN):** When temperature gets down to 60° F or lower, ice may form on the evaporator coils preventing removal of moisture. The IC stops the compressor when this happens but allows the fan to continue running. When the ice is no longer present it starts the compressor.
9. **CURRENT TEMP/TIMER SET DISPLAY:** When machine is running, it displays the current temperature. Press the "TIMER" button to set the machine to shut off or turn on automatically after a specified amount of time.
10. **CURRENT HUMIDITY/SETTING HUMIDITY DISPLAY:** Displays the current humidity. If you press the "ADJUST HUMIDITY" button, the screen will show the humidity you set and be back to show the ambient humidity 5 seconds later.  
Setting Humidity Range: 40%RH ~ 70%RH  
Display Humidity Range: (LO)30%RH ~ (HI)90%RH



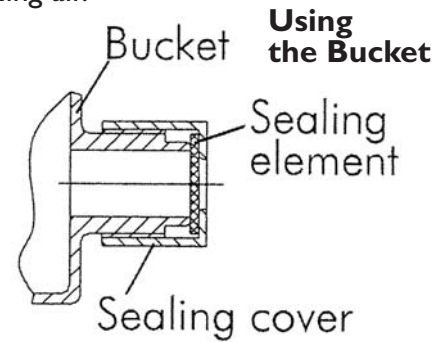
## Operation

It is normal for the surrounding air to become slightly warmer as the dehumidifier operates. This warming effect further reduces the relative humidity of the surrounding air.

There are 2 ways to remove collected water.

### 1. Using the Bucket

When the bucket is full, the red indicator light, "BUCKET FULL," will go on. You must turn the humidity control off before removing the bucket. Wait a few minutes to allow the water to stop dripping. Use both side handles to lift and remove bucket. Pour water through opening and replace bucket. (See Fig.1)

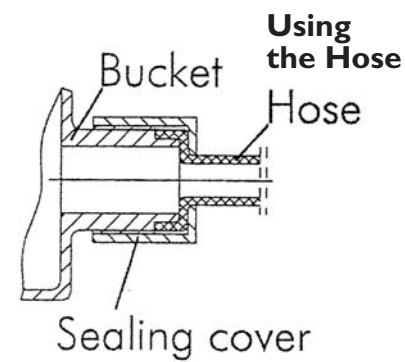


**NOTE:** All models are equipped with built-in water overflow control. The unit will shut down when the water level reaches a maximum level in the bucket. This prevents the bucket from overflowing. The maximum water level can be adjusted by lifting the red plunger located on the top of the bucket. Turning the plunger clockwise about two turns will raise the water level. Turning it anti-clockwise will lower the maximum water level.

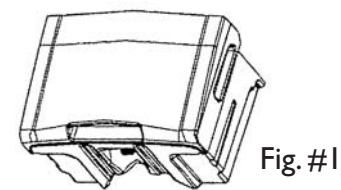
**WARNING:** Make sure the drain cap be tightened before running the unit.

### 2. Use Continuous Drainage:

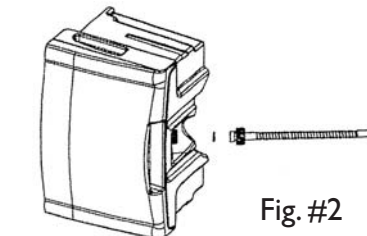
The water can be drained out continuously through a long hose that connects to the bottom of the bucket.



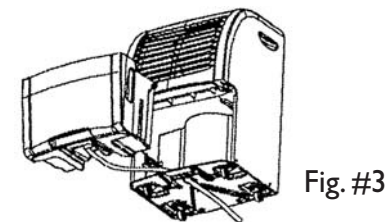
Remove the bucket and remove the plastic cap on the bottom of bucket. Then take the rubber insert out of the cap (Keep the rubber insert well for use later). See Fig. #1.



Using the supplied hose, thread the hose through the cap opening and add the washer to the cap. Screw the cap to the threaded mating connector on the bucket. Make sure to use the washer or the connection may leak. See Fig. #2.



Thread the hose through the round hole and extend the hose to the back of the unit. See Fig. #3.



Place the bucket in its original position.

## Safety

### Read Instructions Before Using

When using the dehumidifier, always follow basic precautions, including the following:

- This dehumidifier must be properly installed and grounded as described in this manual.
- Never operate this dehumidifier in an area that is likely to accumulate standing water. If this condition develops, disconnect the power supply before stepping into the water.
- Repair or replace immediately all electric service cords that have become frayed or otherwise damaged. Do not use a power cord that shows signs of damage along its length or either the plug or where it is connected to the appliance.
- Always unplug dehumidifier before servicing or moving the unit.